



CURTAIN TRACKS



MOTORISED SOLUTIONS

REVOLUTIONISE YOUR HOME OR COMMERCIAL SPACE WITH QUIET, EFFICIENT MOTORISATION

CUSTOMISABLE

TAILORED CURTAIN TRACK SOLUTIONS THAT FIT YOUR UNIQUE NEEDS

AT YOUR FINGERTIPS

ALL CONTROLLED WITH A SIMPLE TOUCH OR VOICE COMMAND



CONTENTS

SOMFY CURTAIN TRACKS

PAGE 3

CHARACTERISTICS

PAGE 8

PRICE LIST

PAGE 4

RANGE

PAGE 5

APPLICATION



CHARACTERISTICS

Somfy Glydea

Heavy-Duty Capacity: Glydea is perfect for large or heavy curtains, with the capability to support fabrics up to 60 kg, ensuring smooth operation regardless of weight.

Versatile Control Options: Operate via remote control, wall switch, or integrate with home automation systems like Somfy's Tahoma, allowing for control via smartphone, tablet, or voice assistants like Alexa and Google Home.

Elegant and Discreet Design: The slim profile of the Glydea track blends effortlessly into any interior design, offering both functionality and aesthetics.

Quiet and Efficient: Equipped with a low-noise motor, Glydea ensures quiet operation, making it ideal for places where silence is crucial, such as bedrooms or conference rooms.

Built-in Touch Motion: Open or close curtains with a simple pull, thanks to Somfy's Touch Motion feature that allows manual operation when needed.

Flexible Installation: Glydea can be adapted for straight or curved windows, offering flexibility for custom designs in various room layouts.

Somfy Movelite

Cost-Effective and Efficient: Movelite is an excellent choice for smaller or lightweight curtains, combining affordability with high-quality performance.

Precise Light Control: With motorised control, users can adjust curtains to manage natural light, improve privacy, or optimize insulation for energy efficiency.

Smart Home Compatibility: Movelite integrates with smart home systems, enabling scheduled or remote control via smartphones, or voice activation through systems like Amazon Alexa and Google Home.

Quiet and Compact: With a small motor and quiet operation, Movelite is perfect for use in bedrooms, living rooms, or other residential spaces where space-saving and sound control are important.

RANGE

CURTAIN MOTOR SOLUTIONS

The premium curtain motor solution guaranteeing an effortless, whisper quiet motion:

- Glydea Ultra 60e RTS
- Glydea Ultra 35e RTS
- Glydea Ultra 35e WT
- Glydea Ultra 60e WT

An accessible and elegant curtain motorisation solution with the essential features

- Movelite 35 RTS
- Movelite 35 WT
- Movelite 35 RTS WireFree



APPLICATION

TRAVERSING CAPACITY

There are three main factors when considering motor load capacity

1. Track Opening
2. Curtain shape
3. Track length

An accurate Somfy curtain motor selection differs between the track configurations and length of track.

When calculating the weight of the curtain, the fullness ration of the curtain must be considered.

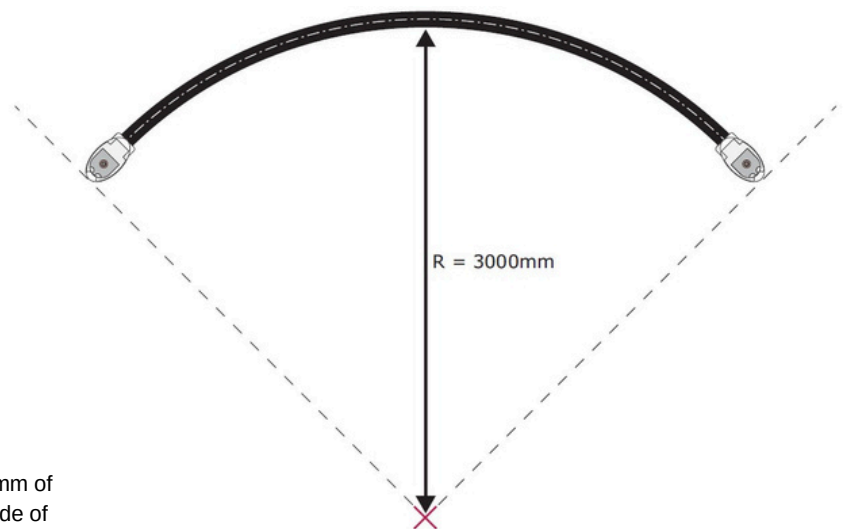
Weight of the curtain = fabric weight/m² x curtain covered area x fullness ratio

The traversing capacity is given for an installation with no extra friction created by the fabric curtain touching the rail or the track pelemt.

Bending Radius [minimum 300mm]

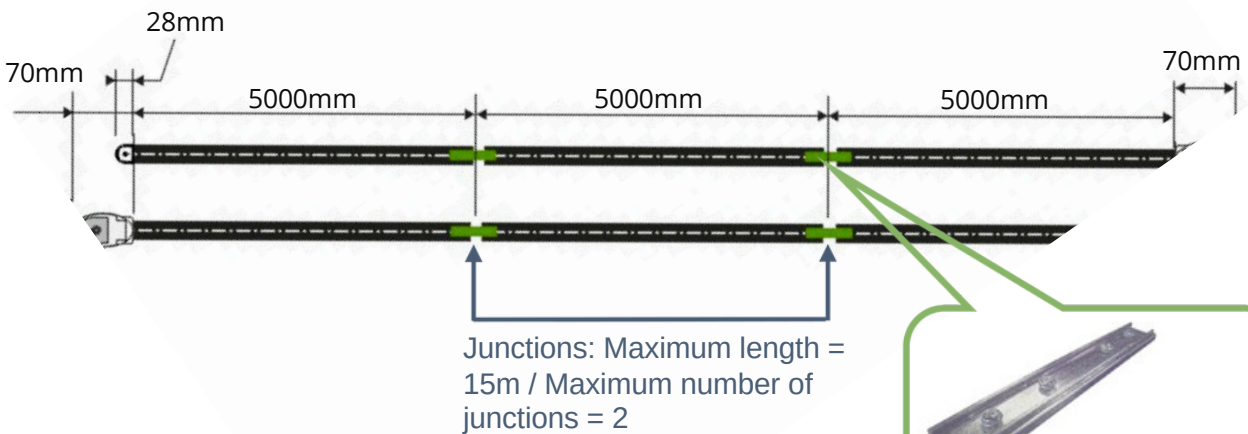
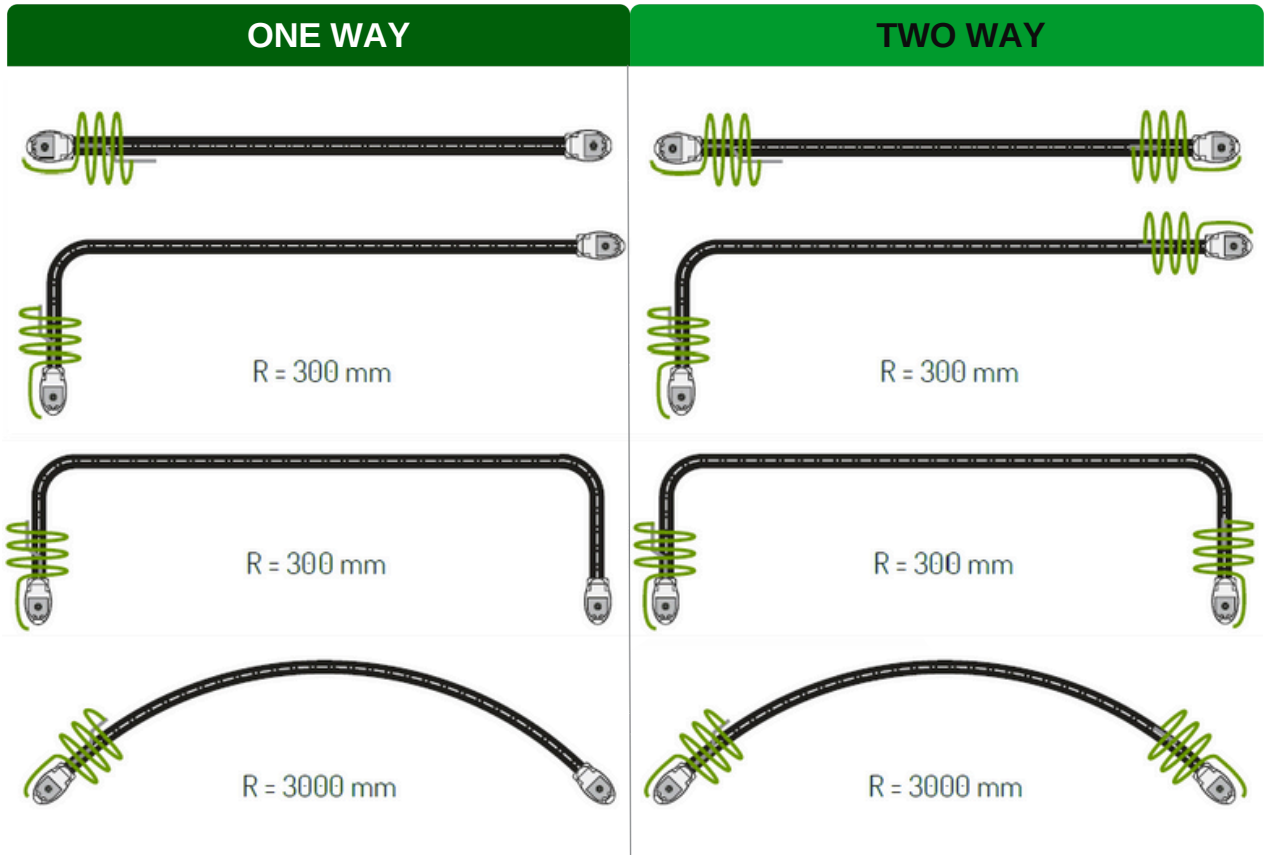


ARC Radius [minimum 3000mm]



Due to the bending process 285mm of the rail still straight on the both side of the curve or the arc shape

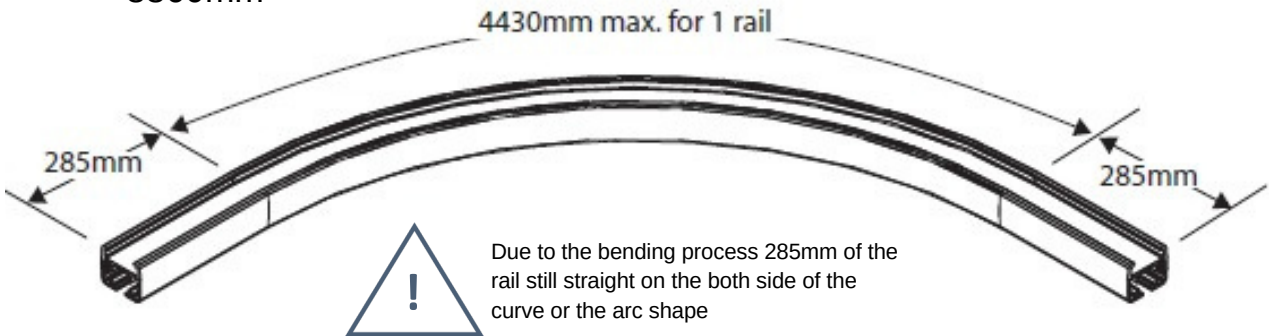
TRAVERSING CAPACITY (TRACK TYPE)



BENDING MEASUREMENTS

Bending instructions and limitations

- 1 x rail length maximum = 4430mm
- Radius limitations:
 - Bent: $300\text{mm} \leq R < 3000\text{mm}$
 - Curve: $R \leq 3000\text{mm}$ (Maximum length in one part 4430, in two parts 8860mm)



Bending measurement Guide

- A track is broken down into straight and curved segments
- The straight length is measured in mm
- The curved radius is measured in mm + the angle in degree

Example:

